



PRICE[®]

LFDCX

SERVICE & INSTALLATION MANUAL

Date: 03 / 2013
Reference #: E-38

www.pricecriticalenvironments.com

LFDCX (Laminar Flow Diffuser with Integrated High Efficiency Filter) Handling Instructions

Diffusers should be installed in teams of 2 or 3 installers, with 1 or 2 installers on the floor unpacking the diffusers as needed. The diffusers should then be handed to the installers who work on scaffolding or ladders (as applicable).

EXTREME CAUTION SHOULD BE TAKEN TO AVOID CONTACT WITH MEDIA



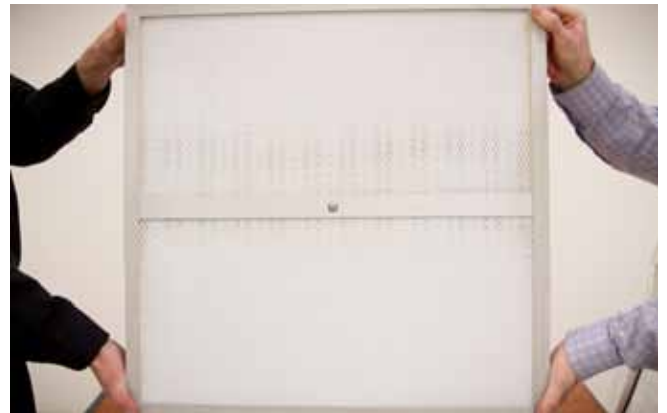
A) Remove diffuser from box.



B) Place unit on flat surface or table.



C) Cut plastic bag and remove with care. Do not cut along the filter face or insulation.



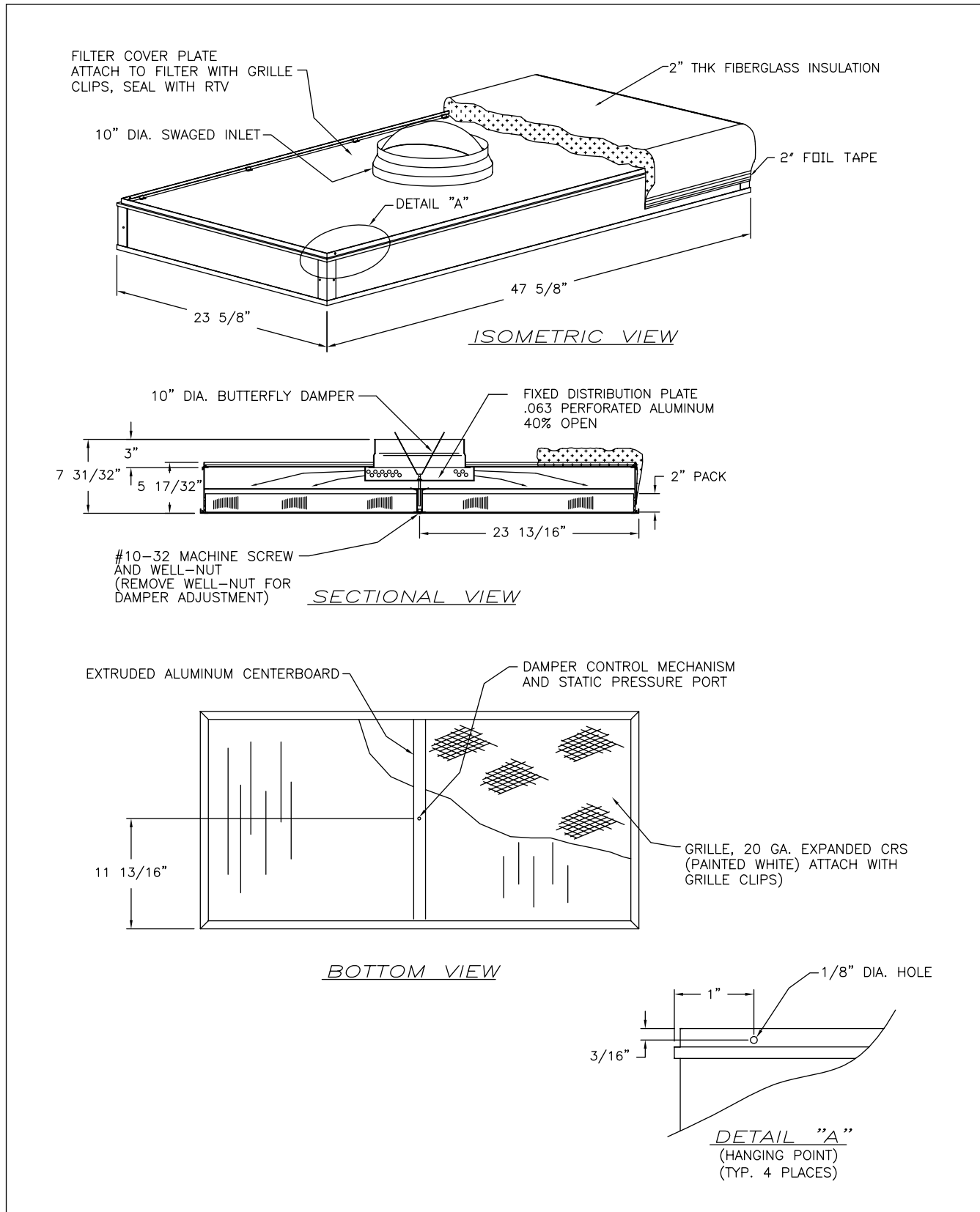
D) To handle the Diffuser, grasp it by the frame or plenum only. Even though the filter media is protected by a screen, contact with this face should be avoided.

WARNING!

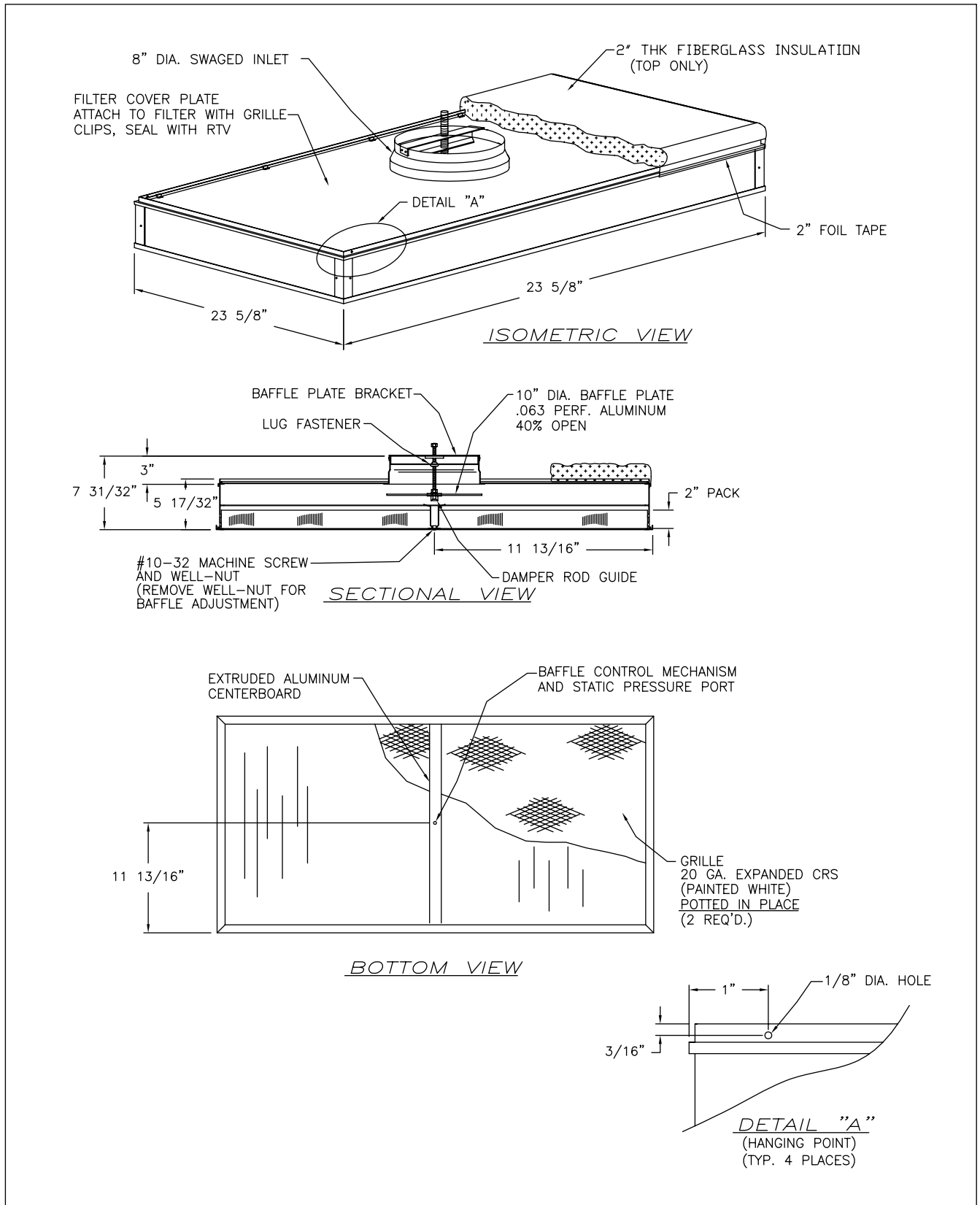
TOUCHING FILTER MEDIA MAY RESULT IN FILTER FAILURE

Damage to filters can occur during installation or during leak qualification testing. The filters supplied by Price have been 100% tested and certified by the manufacturer to be free of defects and leaks. Price cannot accept responsibility for damage that occurs after shipment, whether through transit, handling or installation, and will not replace filters under our standard warranty.

Example Product & Dimensional Data



Example Product & Dimensional Data



PRICE®



2975 Shawnee Ridge Court
 Suwanee, Georgia USA 30024
 Ph: 770.623.8050 Fax: 770.623.6404

- U.S. Head Office
- Price Technical Center
- Atlanta Manufacturing Facility



1290 Barrow Industrial Parkway
 Winder, Georgia USA 30680-5704

- Atlanta Manufacturing Facility



999 North Thornton Road
 Casa Grande, Arizona USA 85122-3809

- Price Technical Center West
- Phoenix Manufacturing Facility



638 Raleigh Street
 Winnipeg, Manitoba Canada R2K 3Z9
 Ph: 204.669.4220 Fax: 204.663.2715

- Canadian Head Office
- Price Research Center North
- International Sales Office
- Winnipeg Manufacturing Facility



130B Pippin Road
 Vaughan, Ontario Canada L4K 4X9

- Toronto Manufacturing Facility

Product Improvement is a continuing endeavour at Price. Therefore, specifications are subject to change without notice. Consult your Price Sales Representative for current specifications or more detailed information. Not all products may be available in all geographic areas.

All goods described in this brochure are warranted as described in the Limited Warranty shown at the web site www.price-hvac.com.

The Price catalog is available online at www.price-hvac.com

